

**EXCELON 72
Pressure Relief Valve
1/4", 3/8" Port Sizes**

- EXCELON design allows in-line installation or modular installation with other Excelon 72 products
- Push to lock adjusting knob with tamper resistant accessory
- Helps protect air operated equipment from over pressure by retarding excessive pressure build up

**Technical Data**

Fluid: Compressed air

Operating Temperature*: -20° to +65°C

* Air supply must be dry enough to avoid ice formation at temperatures below 2°C.

Gauge Ports:

1/8" PTF with PTF main ports

1/8" ISO Rc with ISO Rc main ports

1/8" ISO Rc with ISO G main ports

Exhaust Port:

1/4" PTF with PTF main ports

1/4" ISO Rc with ISO Rc main ports

1/4" ISO Rc with ISO G main ports

Materials:

Body: Zinc

Bonnet: Acetal

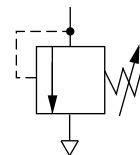
Valve: Brass

Elastomers: Neoprene

Bottom Plug: Acetal

Ordering Information

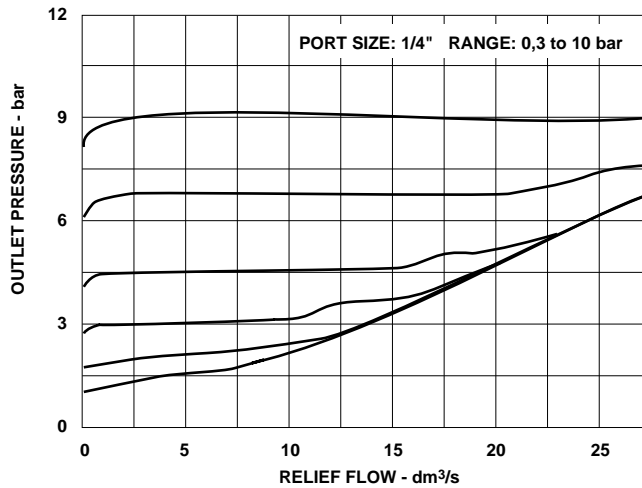
See *Ordering Information* on following pages.

ISO Symbols



Typical Performance Characteristics

RELIEF CURVE



Ordering Information.

Models listed include BSP threads, knob adjustment, and a 0,3 to 10 bar outlet pressure adjustment range*.

| Port Size | Model | Weight kg |
|-----------|--------------|-----------|
| G1/4 | V72G-2GK-NMN | 0,33 |
| G3/8 | V72G-3GK-NMN | 0,33 |

Alternative Models

V 7 2 G - ★ ★ ★ - N ★ ★

| Port Size | Substitute |
|-----------|------------|
| 1/4" | 2 |
| 3/8" | 3 |

| Threads | Substitute |
|----------------|------------|
| PTF | A |
| ISO Rc taper | B |
| ISO G parallel | G |

| Gauge | Substitute |
|---------|------------|
| With | F |
| Without | N |

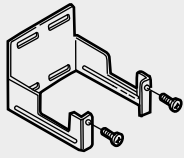
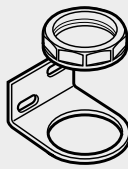


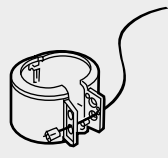
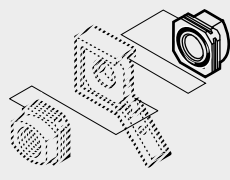
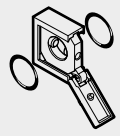
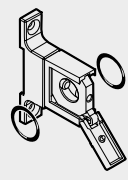
| Outlet Pressure Adjustment Range* | Substitute |
|-----------------------------------|------------|
| 0,3 to 4 bar | F |
| 0,3 to 10 bar | M |

| Adjustment | Substitute |
|------------|------------|
| Knob | K |
| T-bar | T |

* Relief valve can be adjusted to pressures in excess of, and less than, those specified. Do not use these units to control pressures outside of the specified ranges.



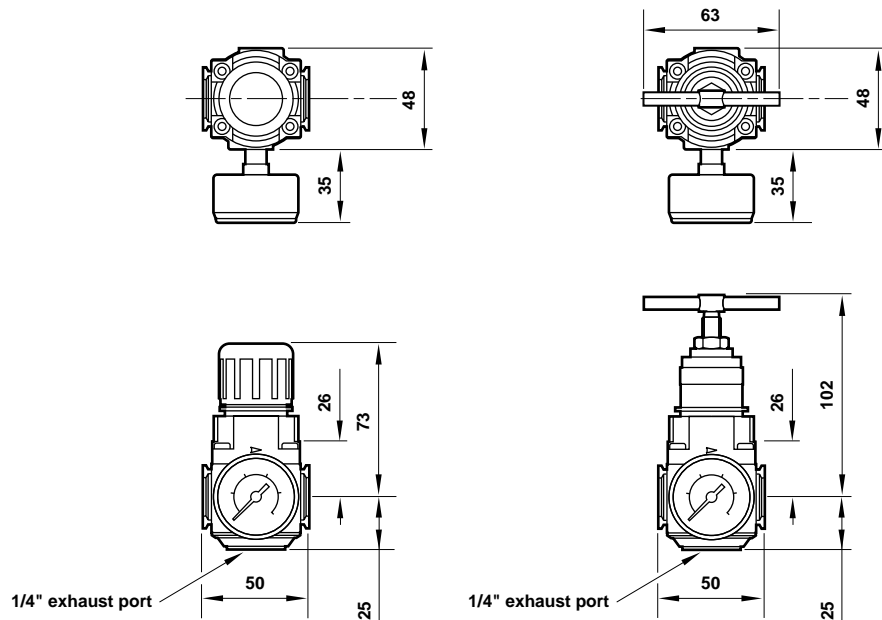
Accessories

| | | | | |
|--|--|---|--|--|
|  Wall Mounting Bracket |  Neck Mounting Bracket |  Ø 40 mm Gauge R1/8 Connection | | |
| 4224-50 | 74316-50 | 4 bar: 18-013-990 10 bar: 18-013-989 25 bar: 18-013-908 | | |
|  Plastic Panel Nut |  Tamper Resistant Cover and Seal wire |  Pipe Adaptors (Quantity of 1) |  Quikclamp |  Quikclamp and Quikclamp Wall Bracket |
| 4248-89 | 4255-51 Seal Wire: 2117-01 | Size BSP ISO Rc ISO G 1/4 4215-02 4215-05 4215-08 3/8 4215-03 4215-06 4215-09 | 4214-51 | 4214-52 |

V72G Pressure Relief Valve

Panel mounting hole diameter: 40 mm

Panel thickness: 0 to 4 mm

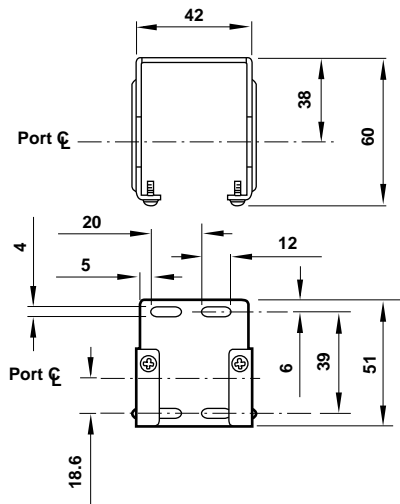




Bracket Mounting

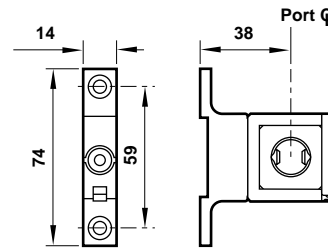
Wall Bracket

Use 4 mm screws to mount bracket to wall.



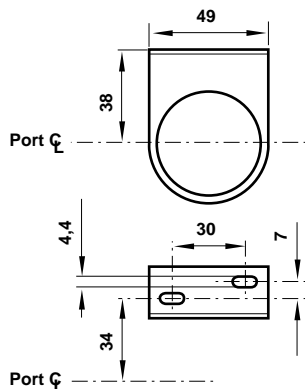
Quikclamp and Quikclamp Wall Bracket

Use 4 mm screws to mount bracket to wall.



Neck Mounting for B72, R72, V72, includes mounting ring

Use 4 mm screws to mount bracket to wall.



Bracket Kit Reference

| Item | Part Number |
|--------------------------------------|-------------|
| Wall Bracket | 4224-50 |
| Neck Mounting Wall Bracket | 74316-50 |
| Quikclamp and Quikclamp Wall Bracket | 4214-52 |

Service Kits

| Item | Type | Part Number |
|-------------|-----------|-------------|
| Service kit | Diaphragm | 4209-03 |

Service kit includes diaphragm assembly and bottom plug o-ring.

Warning

These products are intended for use in industrial compressed air systems only. Do not use these products where pressures and temperatures can exceed those listed under 'Technical Data'. Before using these products with fluids other than those specified, for non-industrial applications, life-support systems, or other applications not within published specifications, consult NORGREN. Through misuse, age, or malfunction, components used in fluid power systems can fail in various modes. The system designer is warned to consider the failure modes of all component parts used in fluid power systems and to provide adequate safeguards to prevent personal injury or damage to equipment in the event of such failure. **System designers must provide a warning to end users in the system instructional manual if protection against a failure mode cannot be adequately provided.** System designers and end users are cautioned to review specific warnings found in instruction sheets packed and shipped with these products.